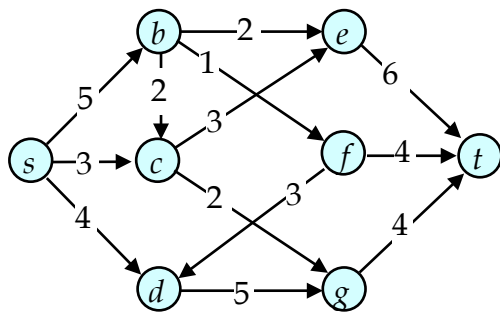


Review Questions 5

Your Name:

Please print out this form (two-sided, if you can) and write your answers *legibly* in the spaces provided. If you can't write legibly, type.

1. In the flow graph shown below, what is the capacity of the cut $\{s, b, c, e\}, \{d, f, g, t\}$?



Identify a cut of minimum capacity.

2. Suppose that the augmenting path method is used to add flow along paths s, b, f, t and s, c, g, t . Draw the residual graph for this flow.

3. For an edge (u,v) , give an equation for $res(v,u)$ in terms of $cap(u,v)$ and $res(u,v)$.